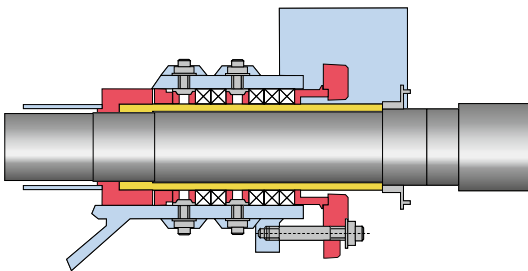


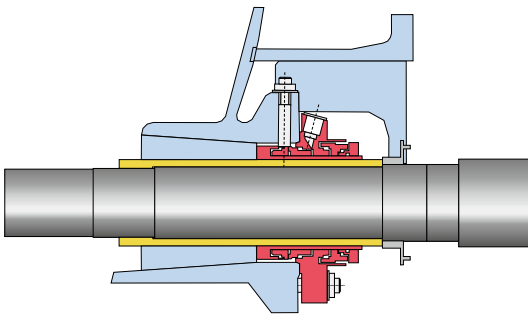
Shaft seal RPP / RPG

Choice of cartridge mechanical seals or stuffing box packing

Stuffing box design



Cartridge-mechanical seal



Heavy duty mechanical seal

